

**Standard version:**

**Material:** Valve-body / media contact surfaces  
**Typ 70.2: BG 00** 1.4571 / 1.4571  
**BG 0-II** 1.4301, 1.4571 / 1.4571  
**BG III-III B** 1.4571 / 1.4571

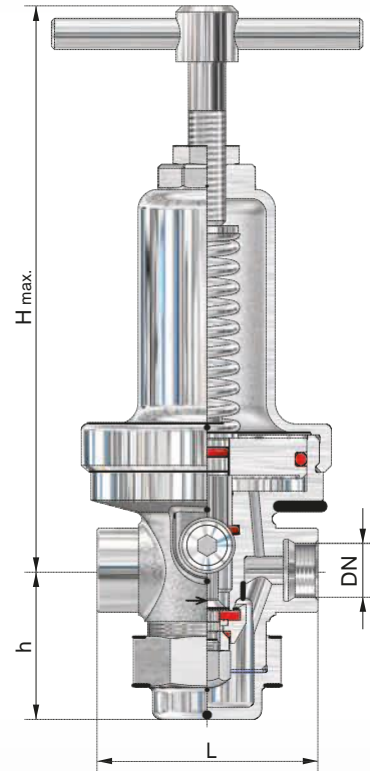
**Connections:** Screwed connection: DIN ISO 228 / ASME B1.20.1  
**Sealings:** FPM, EPDM  
 PTFE, EPDM (steam up to 150°C)  
 PTFE, AF100, EPDM (steam up to 200°C)

**Approvals:**

**Pressure Equipment Directive:** 97/23/EG  
 Declaration of Conformity



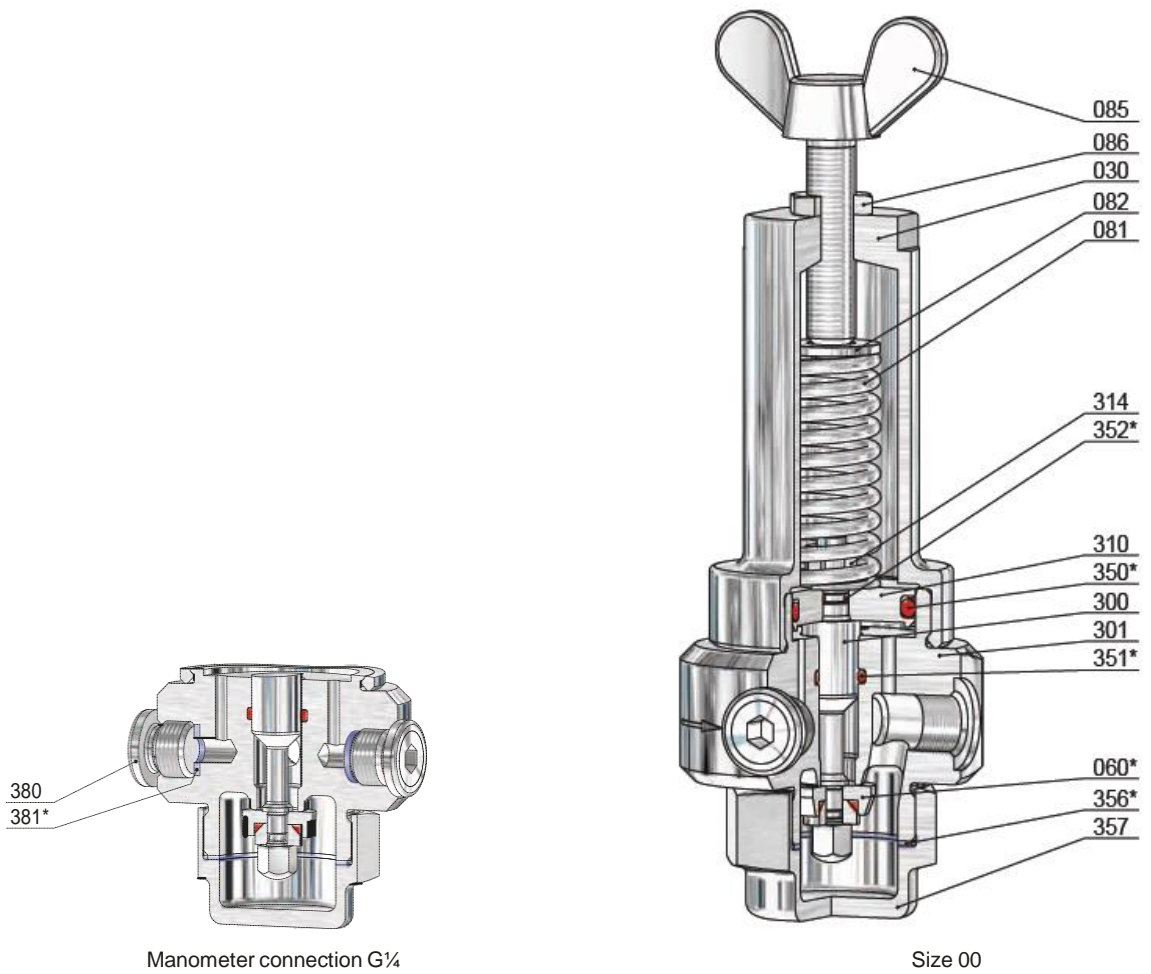
K 70  
04 / 2014



Size	Inlet			Outlet			Dimensions				Kvs value [m³/h]
	DN	G, NPT	Inlet pressure range P1 [bar(g)] max.	DN	G, NPT	Reduced pressure range P2 min. [bar(g)] max.	Height H max.				
							Toggle spindle [mm]	Cap [mm]	L [mm]	h [mm]	
00 <sup>1)</sup>	6	1/8	16	6	1/8	1,00 / 7,00	160	-	58	36	0,63
	8	1/4		8	1/4						
0	8	1/4	63	8	1/4	0,35 / 17,00	205	180	70	48	1,2 2,0 2,2
	10	3/8		10	3/8						
	15	1/2		15	1/2						
I II	15	1/2	100	15	1/2	0,35 / 73,00	275	255	90	58	3,0 3,2 3,5
	20	3/4	63	20	3/4				90		
	25*	1*	63	25*	1*				135		
III	25	1	63	25	1	0,25 / 23,00	305	265	105	68	6,3 6,5 6,7
	32	1 1/4		32	1 1/4				105		
	40*	1 1/2*		40*	1 1/2*				155		
III B	40	1 1/2	63	40	1 1/2	0,25 / 17,00	325	305	145	85	12,5 13,0 13,5
	50	2	40	50	2				145		
	65*	2 1/2*	40	65*	2 1/2*				210		
III B	50	2	40	50	2	0,25 / 12,00	545	495	220	145	27,5 28,0
	65	2 1/2		65	2 1/2						

other design on request

\* special size  
 1) not for water steam applicable

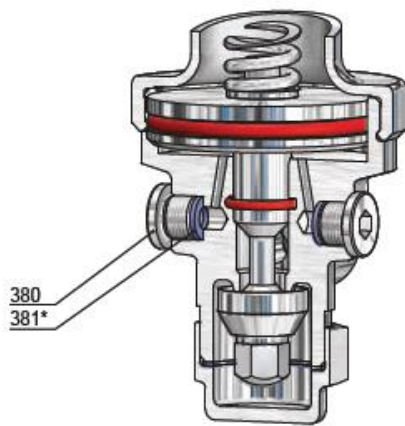
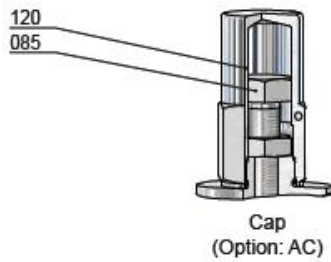


Manometer connection G $\frac{1}{4}$

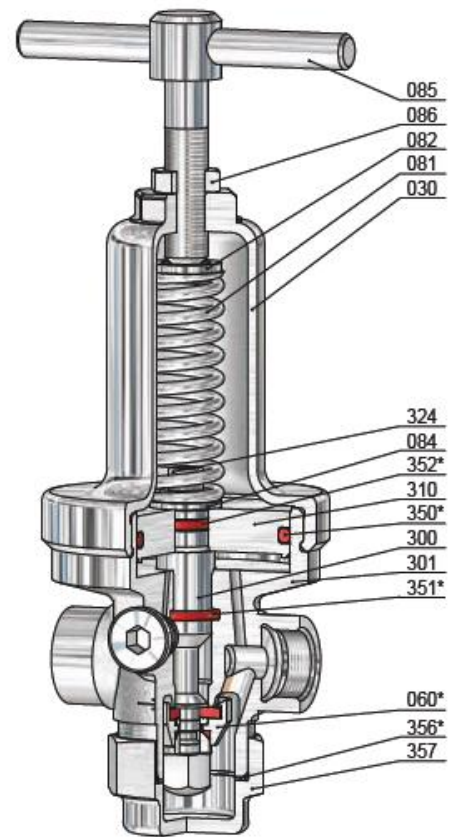
Size 00

Item	Piece	Description	Item	Piece	Description
301	1	valve body	350 *	1	o-ring
030	1	spring bonnet	351 *	1	o-ring
060 *	1	disc, complete	352 *	1	o-ring
560	1	disc	356 *	1	sealing ring
061	1	pressure piece	357	1	bottom plug
065	1	disc bolt	380	2	screw plug
071	1	o-ring	381 *	2	sealing ring
081	1	spring			
082	1	springplate, upper			
085	1	adjusting screw			
086	1	lock nut			
300	1	piston			
310	1	piston plate			
314	1	lock nut			

\* expendable parts



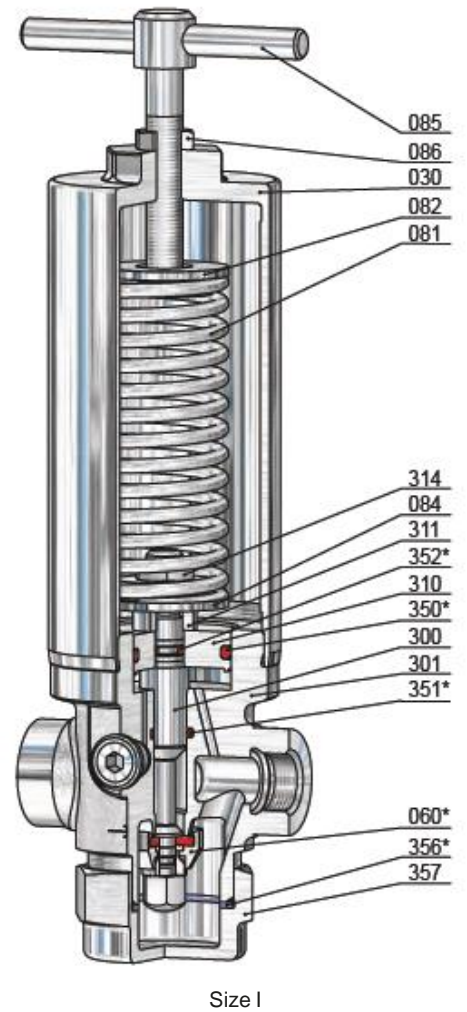
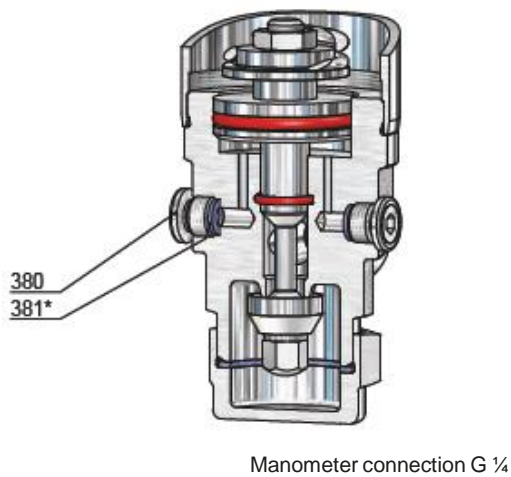
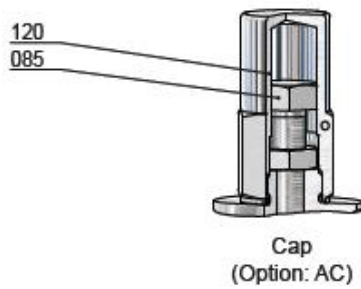
Manometer connection G 1/4



Size 0

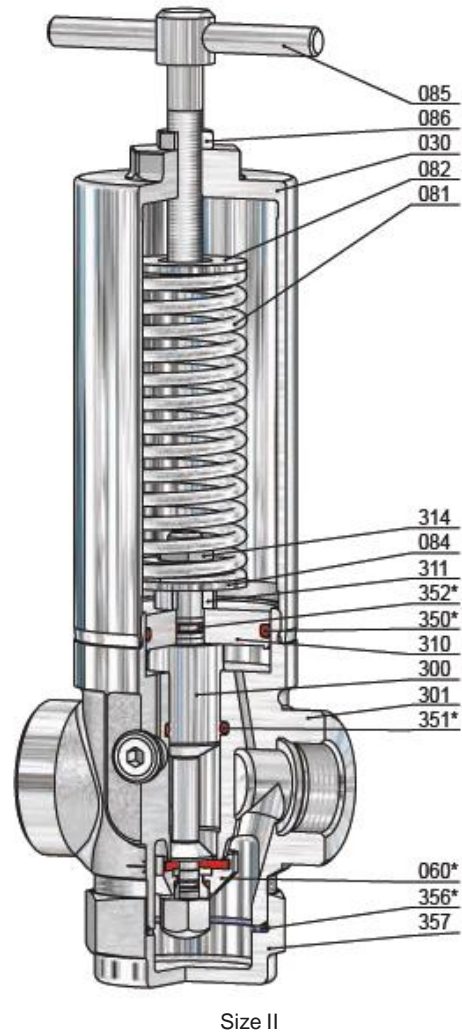
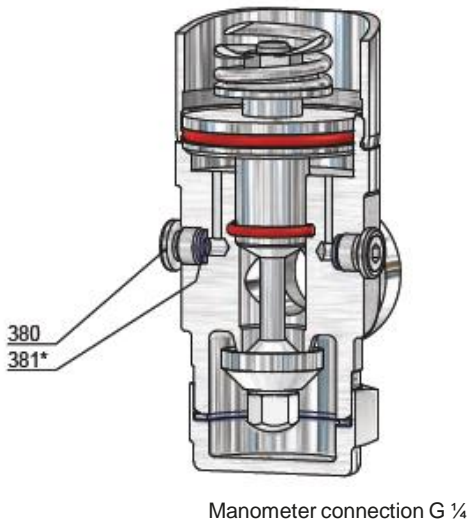
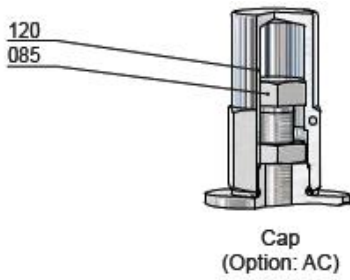
Item	Piece	Description	Item	Piece	Description
301	1	valve body	086	1	lock nut
030	1	spring bonnet	120	1	cap
060 *	1	disc, complete	300	1	piston
560	1	disc	310	1	piston plate
061	1	pressure piece	324	1	screw
062	1	soft sealing	350 *	1	o-ring
065	1	disc bolt	351 *	1	o-ring
071	1	o-ring	352 *	1	o-ring
072	1	locking ring	356 *	1	sealing ring
073	1	o-ring <i>(only for thermoplastics soft sealing)</i>	357	1	bottom plug
081	1	spring	380	2	screw plug
082	1	springplate, upper	381 *	2	sealing ring
084	1	springplate, lower			
085	1	adjusting screw			

\* expendable parts



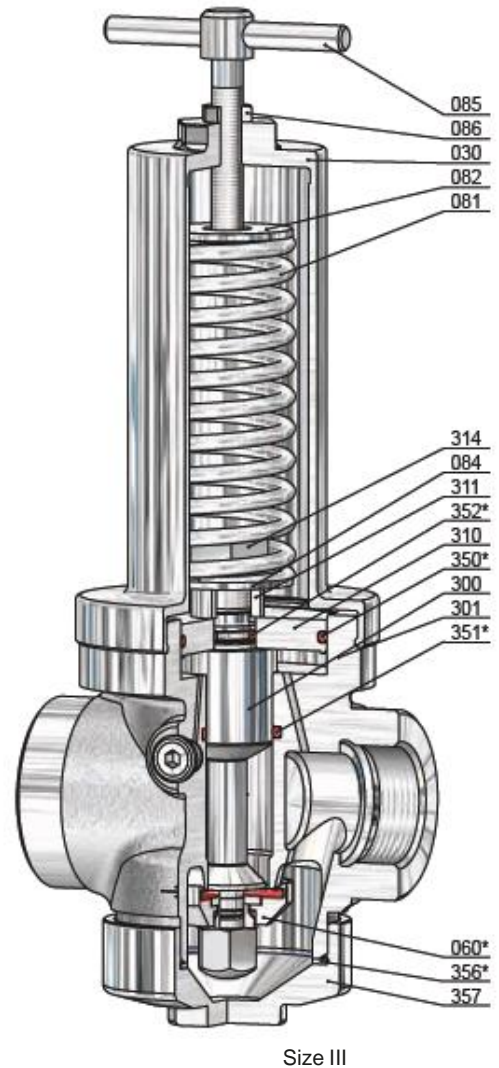
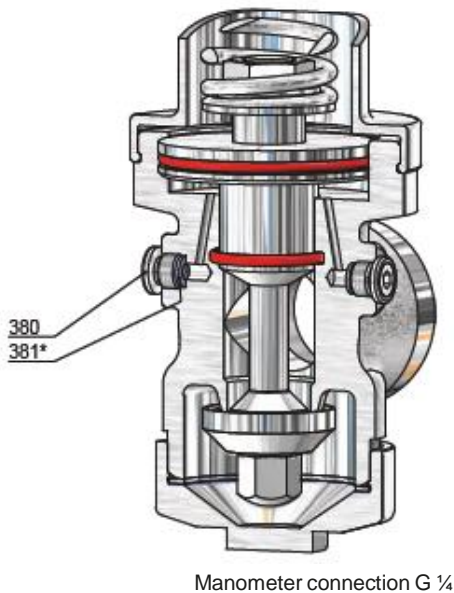
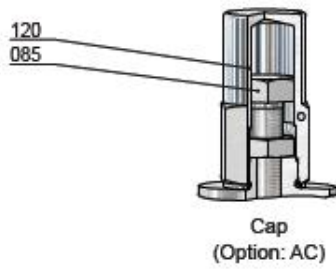
Item	Piece	Description	Item	Piece	Description
301	1	valve body	086	1	lock nut
030	1	spring bonnet	120	1	cap
060 *	1	disc, complete	300	1	piston
560	1	disc	310	1	piston plate
061	1	pressure piece	311	1	distance bush
062	1	soft sealing	314	1	lock nut
065	1	disc bolt	350 *	1	o-ring
071	1	o-ring	351 *	1	o-ring
072	1	locking ring	352 *	1	o-ring
073	1	o-ring <i>(only for thermoplastics soft sealing)</i>	356 *	1	sealing ring
081	1	spring	357	1	bottom plug
082	1	springplate, upper	380	2	screw plug
084	1	springplate, lower	381 *	2	sealing ring
085	1	adjusting screw			

\* expendable parts



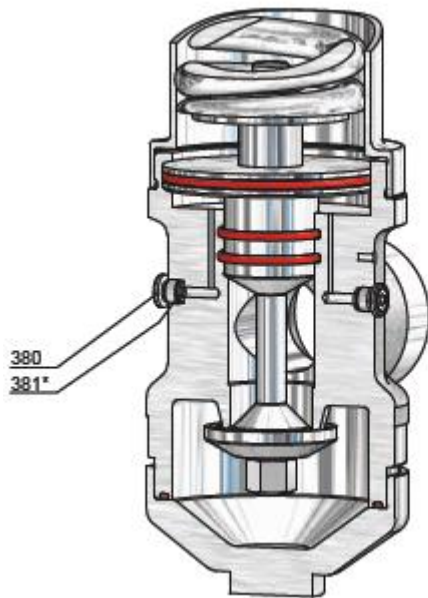
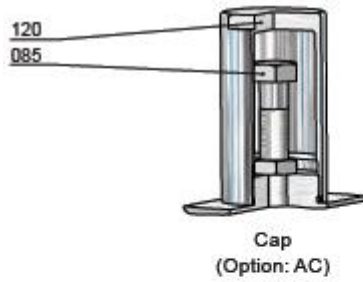
Item	Piece	Description	Item	Piece	Description
301	1	valve body	086	1	lock nut
030	1	spring bonnet	120	1	cap
060 *	1	disc, complete	300	1	piston
560	1	disc	310	1	piston plate
061	1	pressure piece	311	1	distance bush
062	1	soft sealing	314	1	lock nut
065	1	disc bolt	350 *	1	o-ring
071	1	o-ring	351 *	1	o-ring
072	1	locking ring	352 *	1	o-ring
073	1	o-ring (only for thermoplastics soft sealing)	356 *	1	sealing ring
081	1	spring	357	1	bottom plug
082	1	springplate, upper	380	2	screw plug
084	1	springplate, lower	381 *	2	sealing ring
085	1	adjusting screw			

\* expendable parts

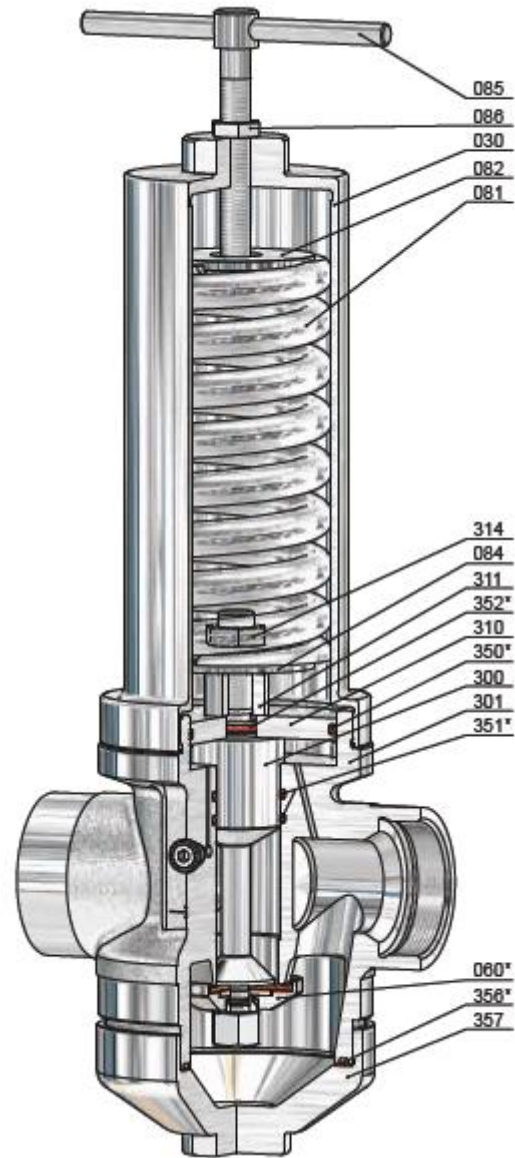


Item	Piece	Description	Item	Piece	Description
301	1	valve body	086	1	lock nut
030	1	spring bonnet	120	1	cap
060 *	1	disc, complete	300	1	piston
560	1	disc	310	1	piston plate
061	1	pressure piece	311	1	distance bush
062	1	soft sealing	314	1	lock nut
065	1	disc bolt	350 *	1	o-ring
071	1	o-ring	351 *	1	o-ring
072	1	locking ring	352 *	1	o-ring
073	1	o-ring (only for thermoplastics soft sealing)	356 *	1	sealing ring
081	1	spring	357	1	bottom plug
082	1	springplate, upper	380	2	screw plug
084	1	springplate, lower	381 *	2	sealing ring
085	1	adjusting screw			

\* expendable parts



Manometer connection G ¼



Size IIIB

Item	Piece	Description	Item	Piece	Description
301	1	valve body	086	1	lock nut
030	1	spring bonnet	120	1	cap
060 *	1	disc, complete	300	1	piston
560	1	disc	310	1	piston plate
061	1	pressure piece	311	1	distance bush
062	1	soft sealing	314	1	lock nut
065	1	disc bolt	350 *	1	o-ring
071	1	o-ring	351 *	2	o-ring
072	1	locking ring	352 *	1	o-ring
073	1	o-ring (only for thermoplastics soft sealing)	356 *	1	sealing ring
081	1	spring	357	1	bottom plug
082	1	springplate, upper	380	2	screw plug
084	1	springplate, lower	381 *	2	sealing ring
085	1	adjusting screw			

\* expendable parts