

## HUMIDITY SEPARATORS S16/S PN 16

### DESCRIPTION

S-16 series centrifugal separators remove moisture from steam and compressed air pipelines. Steam and compressed air passing through the separator and as a result of centrifugal forces, impact and swirling effects, separate the particles with a heavier specific gravity, such as water and oil droplets, moisture in suspension, dirt and scale.

The condensate collected at the bottom of the separator, must be automatically drained by a suitable steam or compressed air trap.

Connections are threaded.

### MAIN FEATURES

Several possibilities of installation.

No moving parts.

OPTIONS: Zinc plated (compressed air)  
Condensate flanged connection.

USE: Steam, compressed air and other gases (Group 2).

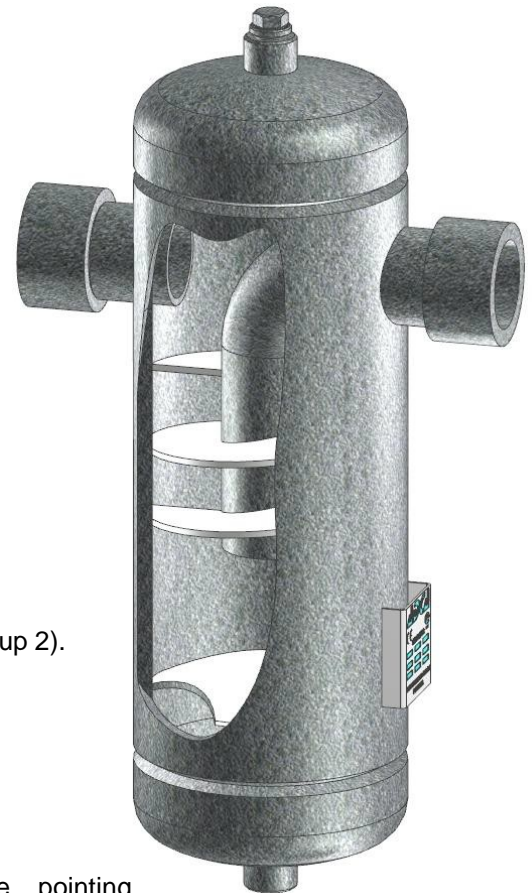
AVAILABLE MODELS: S16/S - carbon steel body.

SIZES: DN ½" to DN 2".

PIPE CONNECTIONS: Screwed BSP or NPT

INSTALLATION: Always with the condensate discharge pointing downwards.  
See IMI, installation and maintenance instructions.

HOW TO SELECT: Generally, in an existing plant it is advisable to fit a separator of the same size of the pipe line. Pressure drop is normally negligible. For approximate pressure drop calculation please consult.



LIMITING CONDITIONS **		
Rating	Press. bar	Temp. °C
PN16	16	50
	14	100
	13 *	195
	12	250

\*PMO-Max.operating pressure for saturated steam. Minimum operating temp.: -10°C. Design code: AD-Merkblatt

\*\* Rating according to EN1092:2007.

CE MARKING - GROUP 2 GASES CAT.		
RATING	SIZE	CAT.
PN16	DN 1/2" to DN 1"	SEP
	DN 1 1/4" to DN 2"	1

**CE Marking:** This product have been designed for use on water steam, air and other gases which are in Group 2 of the PED-European Pressure Equipment Directive 97/23/EC and it comply with those requirements. The product carries the CE mark when falling in category 1 and above.

APPROXIMATE DIMENSIONS (mm)								
DN	A	B	C	D	E	F **	VOL. dm3	WGT Kg
1/2"	218	114	260	185	70	1/2"	2	5
3/4"	218	114	260	185	75	1/2"	2,5	6
1"	230	114	300	200	100	1/2"	3	7
1 1/4"	263	140	395	285	110	1/2"	5	12
1 1/2"	263	140	435	325	110	1/2"	5,7	13,8
2"	322	168	505	385	120	1/2"	10,5	19,5

Weight and dimensions to be confirmed in case of order.

\*\* F-screwed drain connection as standard. Alternatively can be supplied flanged EN1092-1 or ANSI on the same class of main dimensions.

Consult factory for certified dimensions. Dimensions subject to change without notice.

Note: the top of separator is supplied with a threaded connection with size not exceeding the size of drain one. This connection is always supplied closed with a threaded socket. It can be used for air vent or balancing pipe connection.

MATERIALS	
DESIGNATION	MATERIAL
Body	EN10216-2 / P235GH / 1.0325
Heads	EN10028-2 / P265GH / 1.0425
Inlet / Outlet pipes	EN10216-2 / P235GH / 1.0325
Sockets Inlet / Outlet	ASTM A105 / 1.0432
Sockets	ASTM A105 / 1.0432
Internals	EN10025-2 / S235JR / 1.0038

EN10204 3.1 certificate available if requested with the order.

