

**Application:**

Sight port for viewing into vessels, containers and pipelines. Particularly suitable for creameries, food, breweries, beverage industry, pharmaceutical- and medical technology.

**Operating conditions:**

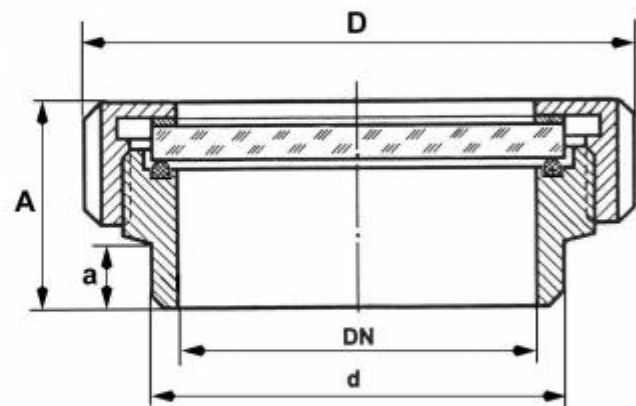
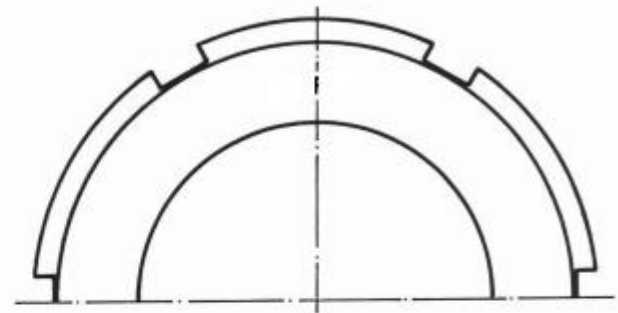
Working pressure: 6 bar  
 Working temperature: 150°C or 220°C  
 Vacuum

**Options:**

Light fittings  
 Wiper  
 Higher pressure

**Materials:**

Butt weld pipe end	WN 1.4404 or 1.4301
Slotted cover nut	WN 1.4301
Glass	Borosilicate glass DIN 7080 Soda lime glass DIN 8902
Gasket	Silicone / Viton / EPDM / PTFE
Protection ply	Asbestos free


**Dimensions**

DN	a	A	d	D
50	18	46	55	92
65	22	49	72	112
80	23	54	87	127
100	32	65	106	148
125	20	60	132	178