

Application:

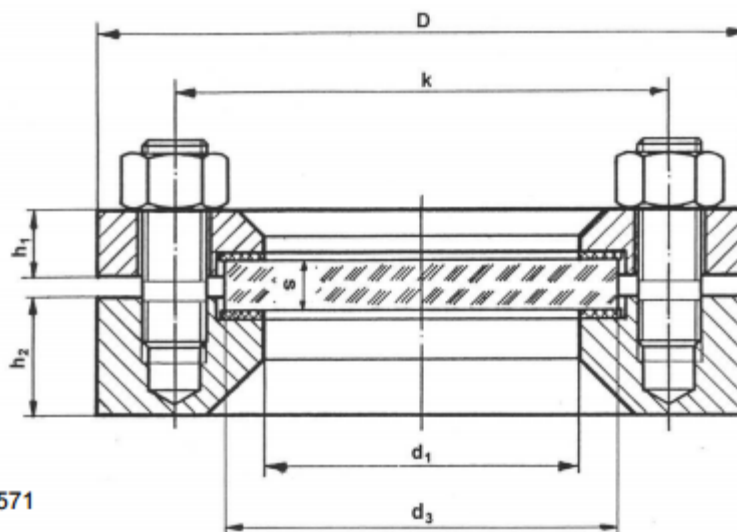
For observation and lightning the inside of closed containers
 (boilers, tanks, silos a.s.o)

Operating conditions:

Working pressure: 10 or 16 bar
 Working temperature: 150°C or 280°C

Options:

Sight Glass wiper Bauform 190 + 195
 Spray washer Bauform 198
 Safety double windows Bauform 126 + 120-D
 Sight glass light fittings
 Lined, Type B, acc. to DIN 28120
 With O-ring-sealing (for vacuum)
 Special design acc. to customer


Materials:

Base- and coverflange	RSt 37-2, H II, C 22.8, 1.4541, 1.4571 or on request
Glass	Soda lime glass acc. to DIN 8902 Borosilicate glass acc. to DIN 7080
Gaskets	Kingersil or on request
Screws/Nuts	Steel 5.6 gal. / A2-70 / A4-70

Delivery includes:

Complete fitting, consisting of base and cover flange, glass plate, gaskets and screws with nuts

Certificate: (Option)

Acc. to EN 10204-2.2 or
 Acc. to EN 10204-3.1

Dimensions:

DN	PN	d ₁	d ₃	s	D	k	h ₁	h ₂	Screws
25	10	48	63	10	115	85	16	25	4 x M 12
	16								
40	10	65	80	12	150	110	16	30	4 x M 16
	16								
50	10	80	100	15	165	125	16	30	4 x M 16
	16								
80	10	100	125	15	200	160	20	30	8 x M 16
	16			20					
100	10	125	150	20	220	180	22	30	8 x M 16
	16			25					
125	10	150	175	20	250	210	25	30	8 x M 16
	16			25					
150	10	175	200	25	285	240	30	36	8 x M 20
	16			30					
200	10	225	250	30	340	295	35	36	8 x M 20



Modification reserved