

SERIES 28B

2-PIECE FULL PORT BALL VALVES

1/4"~2" DN8~DN50 2000WOG

THREADED ENDS

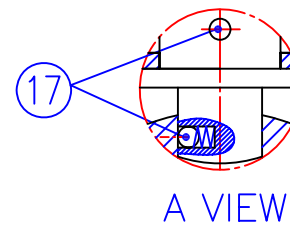
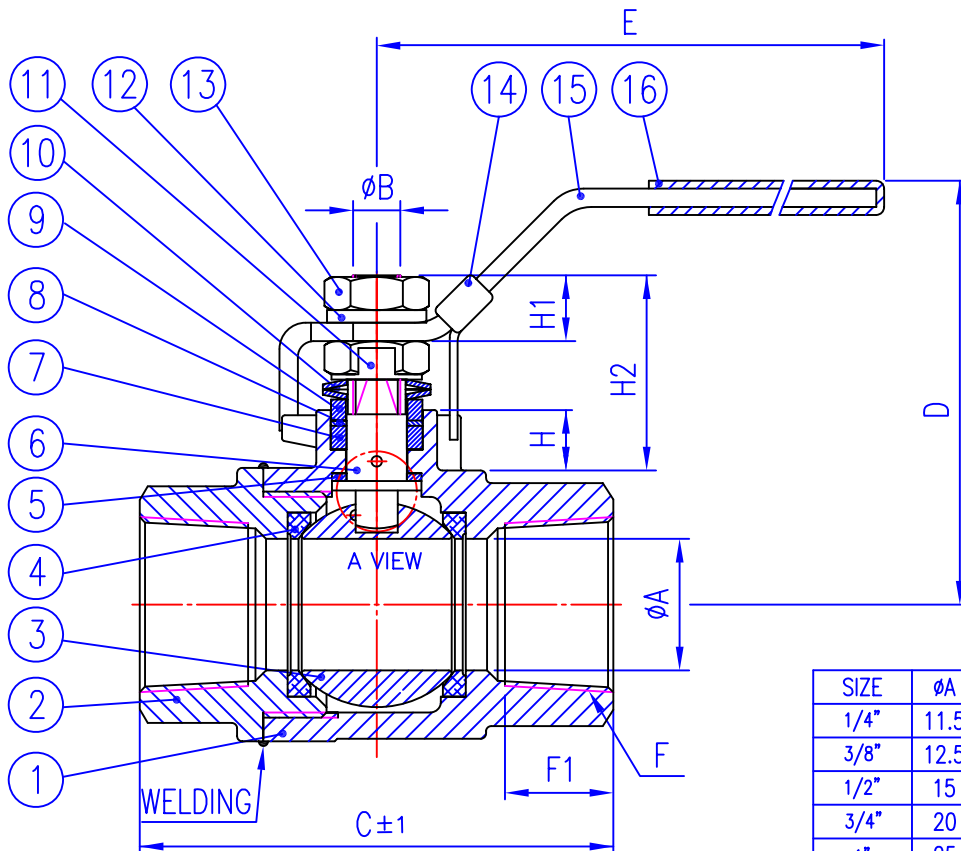
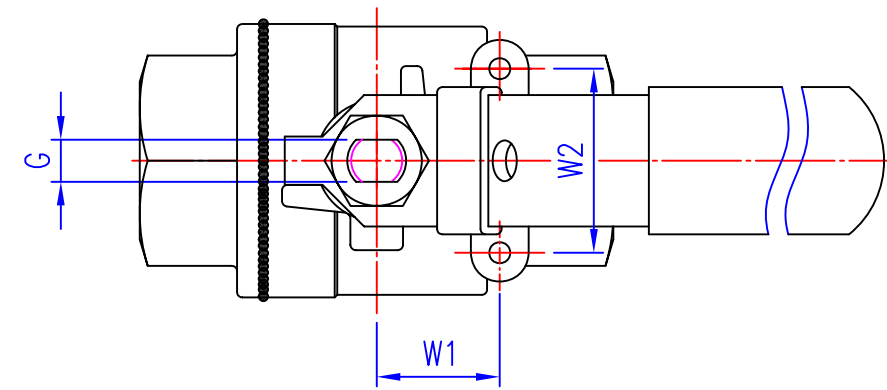
NACE MR0175

FACE TO FACE ACCORDING TO DIN 3202 M3

FIRE SAFE

MATERIALS LIST

NO.	PART NAME	QTY	MATERIAL
1	Body	1	CF8M
2	End Cap	1	CF8M
3	Ball	1	SS316
4	Seat	2	25% Carbon+PTFE
5	Stem seal	1	50%SS.
6	Stem	1	SS316
7	Stem packing	1	Graphite
8	Stem packing	1	RTFE
9	Follower	1	SS304
10	Belleville washer	2	SS301
11	Tab washer	1	SS304
12	Stem Washer	*	SS304
13	Stem nut	2	SS304
14	Locking device	1	SS304
15	Handle	1	SS304
16	Handle sleeve	1	VINYL
17	Anti-static Device	2	SS316



PS: * For 1/4" to 1/2"-0pcs
* For 3/4" to 2"-1pcs

DIMENSIONS(mm)

SIZE	φA	B	C	D	E	F1	F	G	H	H1	H2	W1	W2
1/4"	11.5	9.5	60	69.5	130	13.5	1/4" PF-NPT-PT	6.5	10	7.2	27.1	12.7	28.5
3/8"	12.5	9.5	60	69.5	130	13.5	3/8" PF-NPT-PT	6.5	10	7.2	27.1	12.7	28.5
1/2"	15	9.5	75	69.5	130	16	1/2" PF-NPT-PT	6.5	10	7.2	27.1	12.7	28.5
3/4"	20	9.5	80	72.5	130	17	3/4" PF-NPT-PT	6.5	11	11.4	32.4	22.4	35
1"	25	11	90	78.8	165	20.4	1" PF-NPT-PT	8	11.5	12.1	34.4	23.4	35
1-1/4"	32	11	110	84.3	165	22	1-1/4" PF-NPT-PT	8	11.5	12.1	34.4	25.4	38.1
1-1/2"	38	14	120	97.7	190	22.5	1-1/2" PF-NPT-PT	9.7	12	16	41.1	25.4	38.1
2"	50	14	140	105.7	190	26	2" PF-NPT-PT	9.7	9.5	16	38.6	25.4	38.1

ORDER	DATE	REASON FOR CHANGE	Legend	CHANGE BY	REMARK	MATERIAL	DATE	2010' 03,05	CHECKED BY	DRAW BY	Flora L
							DRAWING	V28B-M3	DRAWING NAME	V28B(DIN 3202 M3)	