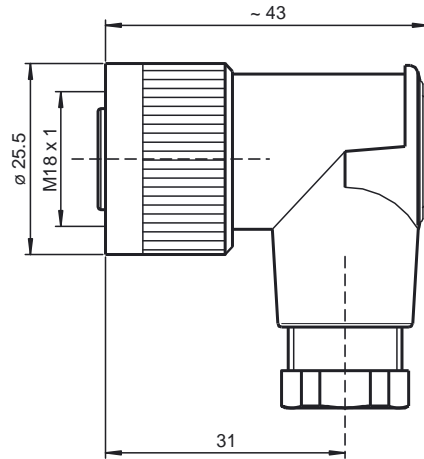




Dimensions



Model Number

V18-W

Cable socket in M18 format, ready for make up

Features

- Gold plated contacts

Technical data

General specifications

Number of poles	4
Construction type	Socket, angled

Electrical specifications

Operating voltage	max. 250 V
Operating current	max. 16 A / 5 A Dip soldered
Volume resistance	≤ 8 mΩ

Ambient conditions

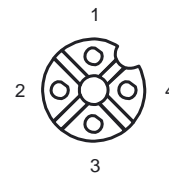
Ambient temperature	-40 ... 85 °C (233 ... 358 K)
Degree of soiling	3

Mechanical specifications

Protection degree	IP65
Connection	1 x M18 socket screw terminal for max. 1.5 mm ² PG9 screwed connection

Material	
Contacts	CuZn
Contact surface	CuSnZn
Handle	PA 66
Slotted nut	PA 66
Cable	
Sheath diameter	6 ... 8 mm

Electrical connection



Release date: 2008-02-27 09:34

Subject to reasonable modifications due to technical advances.

Copyright Pepperl+Fuchs, Printed in Germany