

Tech Data - Performances

1x230VAC 50Hz / 60Hz*									
Motor - S4 service - Duty rating : 25%									
Type	Max torque N.m	Available in EZ LOGIC On-Off	Available in EZ LOGIC Positioning	Positioning torque N.m	Operating time s / 90°	Flange ISO	Power kW	Current rated A	Current start A
EZ4	45	yes	---	---	6 / 5	F05/F07	0.03 / 0.03	0.8 / 1	0.9 / 1.2
EZ6	60 / 55	yes	---	---	6 / 5	F05/F07	0.03 / 0.03	0.6 / 0.8	0.9 / 1.1
EZ10	100	yes	---	---	6 / 5	F05/F07	0.06 / 0.07	1.2 / 1.5	1.7 / 1.7
EZ10	100	yes	yes	50	35 / 30	F05/F07	0.02 / 0.02	0.5 / 0.6	0.6 / 0.7
EZ15	150	yes	yes	75	25 / 21	F05/F07	0.03 / 0.03	0.6 / 0.8	0.9 / 1.1
EZ25	250	yes	yes	125	30 / 25	F07/F10	0.03 / 0.03	0.6 / 0.8	0.9 / 1.1
EZ60	600	yes	yes	250	30 / 25	F07/F10	0.06 / 0.07	1.2 / 1.5	1.7 / 1.7
EZ100	1000	yes	yes	500	30 / 24	F12 (F14*)	0.20 / 0.25	2.5 / 1.5	3.5 / 2.2
EZ250	2500	yes	yes	1200	70 / 58	F16 (F14*)	0.40 / 0.50	4.0 / 3.0	9.0 / 8.2
EZ400	4000	yes	yes	2000	125 / 105	F16	0.40 / 0.50	4.0 / 3.0	9.0 / 8.2
EZ1000	10000	---	---	---	210 / 180	F25	0.40 / 0.50	3.5 / 3.5	11 / 12

* X = values for 60Hz

3x400VAC 50Hz									
Motor - S4 service - Duty rating : 25%									
Type	Max torque N.m	Available in EZ LOGIC On-Off	Available in EZ LOGIC Positioning	Positioning torque N.m	Operating time s / 90°	Flange ISO	Power kW	Current rated A	Current start A
EZ6	60	yes	---	---	6	F05/F07	0.03	0.3	0.5
EZ10	100	yes	---	---	6	F05/F07	0.1	0.6	1.1
EZ10	100	yes	yes	50	35	F05/F07	0.03	0.3	0.5
EZ15	150	yes	yes	80	25	F05/F07	0.03	0.3	0.5
EZ25	250	yes	yes	140	30	F07/F10	0.03	0.3	0.5
EZ60	600	yes	yes	250	30	F07/F10	0.06	0.3	0.8
EZ100	1000	yes	yes	500	30	F12 (F14*)	0.10	0.6	1.2
EZ250	2500	yes	yes	1250	70	F16 (F14*)	0.10	0.6	1.2
EZ400	4000	yes	yes	2000	125	F16	0.10	0.6	1.2
EZ1000	10000	yes	---	---	210	F25	0.14	0.7	2.8

24V DC									
Motor - S4 service - Duty rating : 25%									
Type	Max torque N.m	Available in EZ LOGIC On-Off	Available in EZ LOGIC Positioning	Positioning torque N.m	Operating time s / 90°	Flange ISO	Power kW	Current rated A	Current start A
EZ6	60	yes	---	---	6	F05/F07	0.03	2,5	8
EZ10	100	yes	yes	60	35	F05/F07	0.03	2,5	8
EZ15	150	yes	---	---	15	F05/F07	0.03	2,5	8
EZ25	250	yes	yes	140	30	F07/F10	0.03	2,5	8

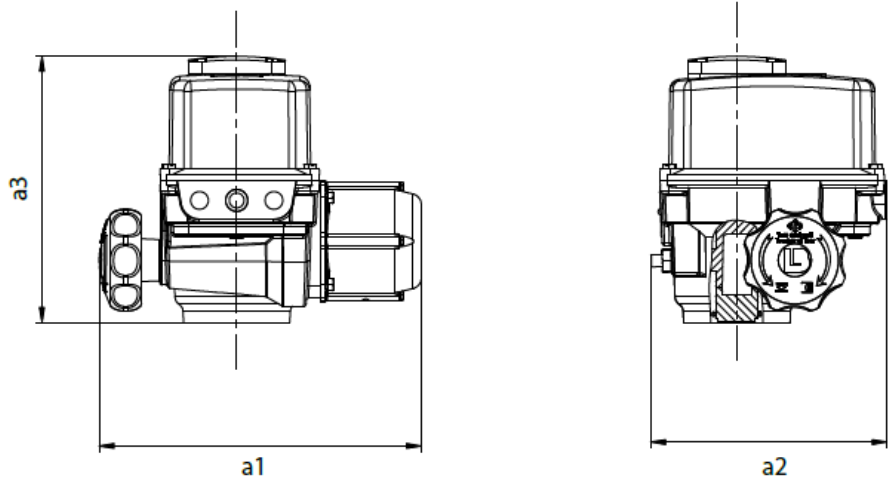
* F14 available as an option

NB: All references in column 'Type' are available in SWITCH version.

Tech Data - Dimensions

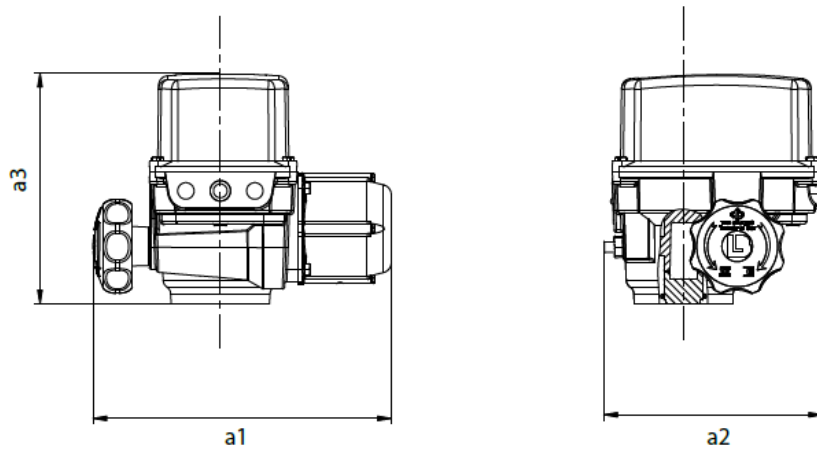
>EZ4 to EZ15

EZ SWITCH models



	Flange ISO5211	Stem size (mm)		a1 max. (mm)	a2 (mm)	a3 (mm)	Approx. Weight (kg)
		Bore (max.)	Square (max.)				
EZ4	F05/F07	22	19	273	200	225	6
EZ6	F05/F07	22	19	319	200	225	7
EZ10	F05/F07	22	19	362	200	225	7
EZ15	F05/F07	22	19	362	200	225	7

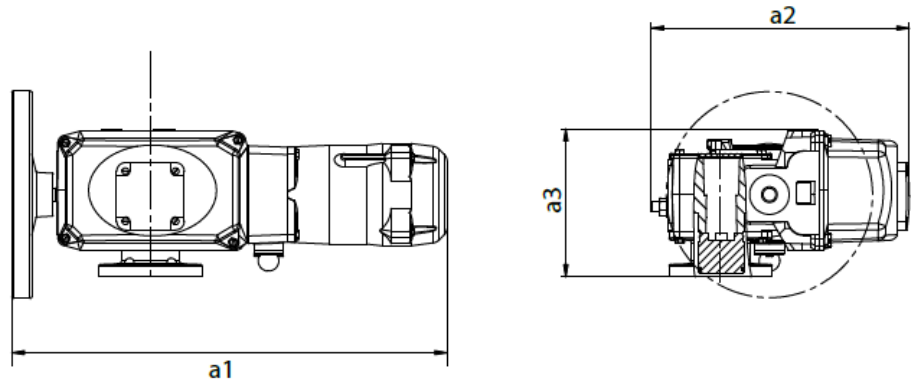
EZ LOGIC models



	Flange ISO5211	Stem size (mm)		a1 max. (mm)	a2 (mm)	a3 (mm)	Approx. Weight (kg)
		Bore (max.)	Square (max.)				
EZ4	F05/F07	22	19	273	200	217	6
EZ6	F05/F07	22	19	319	200	217	7
EZ10	F05/F07	22	19	362	200	217	7
EZ15	F05/F07	22	19	362	200	217	7

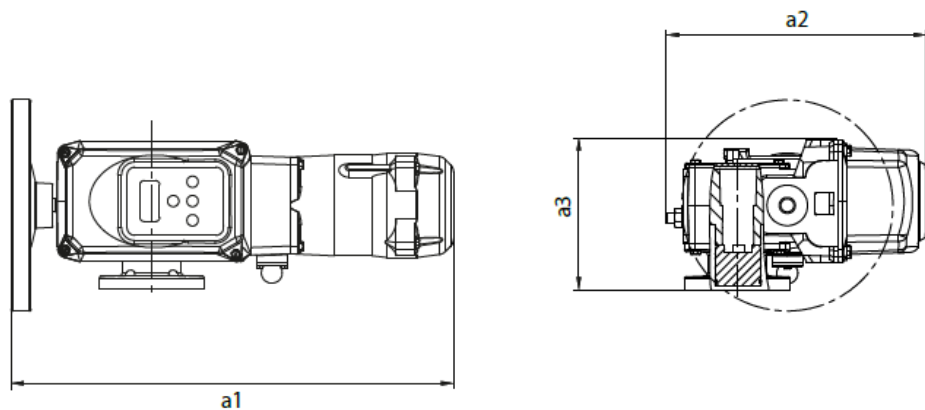
➤ EZ25 to EZ60

EZ SWITCH models



	Flange ISO5211	Stem size (mm)		a1 max. (mm)	a2 (mm)	a3 (mm)	Approx. Weight (kg)
		Bore (max.)	Square (max.)				
EZ25	F07/F10	30	22	479	313	180	18
EZ60	F07/F10	32	27	528	313	180	20

EZ LOGIC models

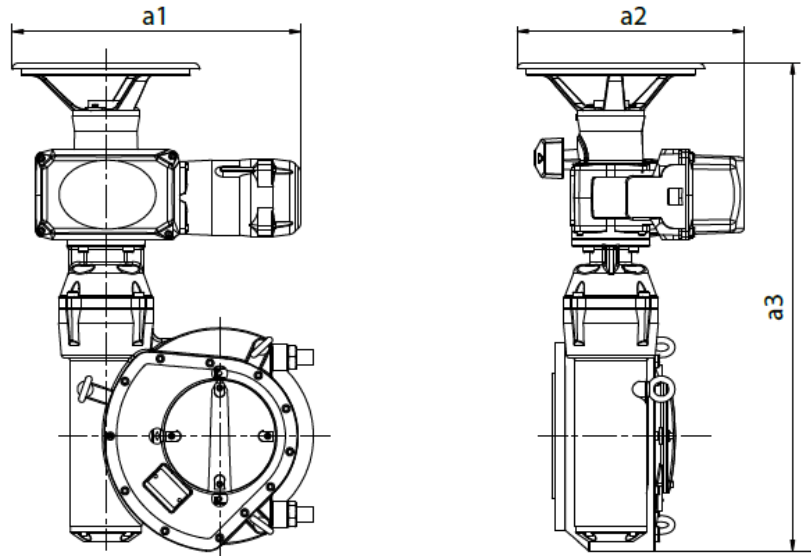


	Flange ISO5211	Stem size (mm)		a1 max. (mm)	a2 (mm)	a3 (mm)	Approx. Weight (kg)
		Bore (max.)	Square (max.)				
EZ25	F07/F10	30	22	479	307	180	18
EZ60	F07/F10	32	27	528	307	180	20

Tech Data - Dimensions

> EZ100 to EZ1000

EZ LOGIC or EZ SWITCH models



	Flange ISO5211	Stem size (mm)		a1 max. (mm)	a2 (mm)	a3 (mm)	Approx. Weight (kg)
		Bore (max.)	Square (max.)				
EZ100	F12 (F14*)	60	36	462	364	521	47
EZ250	F16 (F14*)	80	46	462	364	664	64
EZ400	F16	80	50	462	364	664	67
EZ1000	F25	100	55	482	364	780	92

* F14 available as an option

→ Product selection

EZ1000 FA MB 210 A 2

Type

0=Nothing / 1=Potentiometer* / 2=TAM*

A=Standard flange / B=Optional flange

Operating time in seconds

MB = 1x230VAC 50Hz - 60Hz / TA = 3x400VAC 50Hz / CE = 24V DC

FA = SWITCH & On-Off / FL = LOGIC & On-Off / KL = LOGIC & Positioning

* for EZ SWITCH models