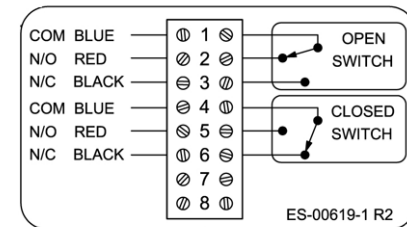
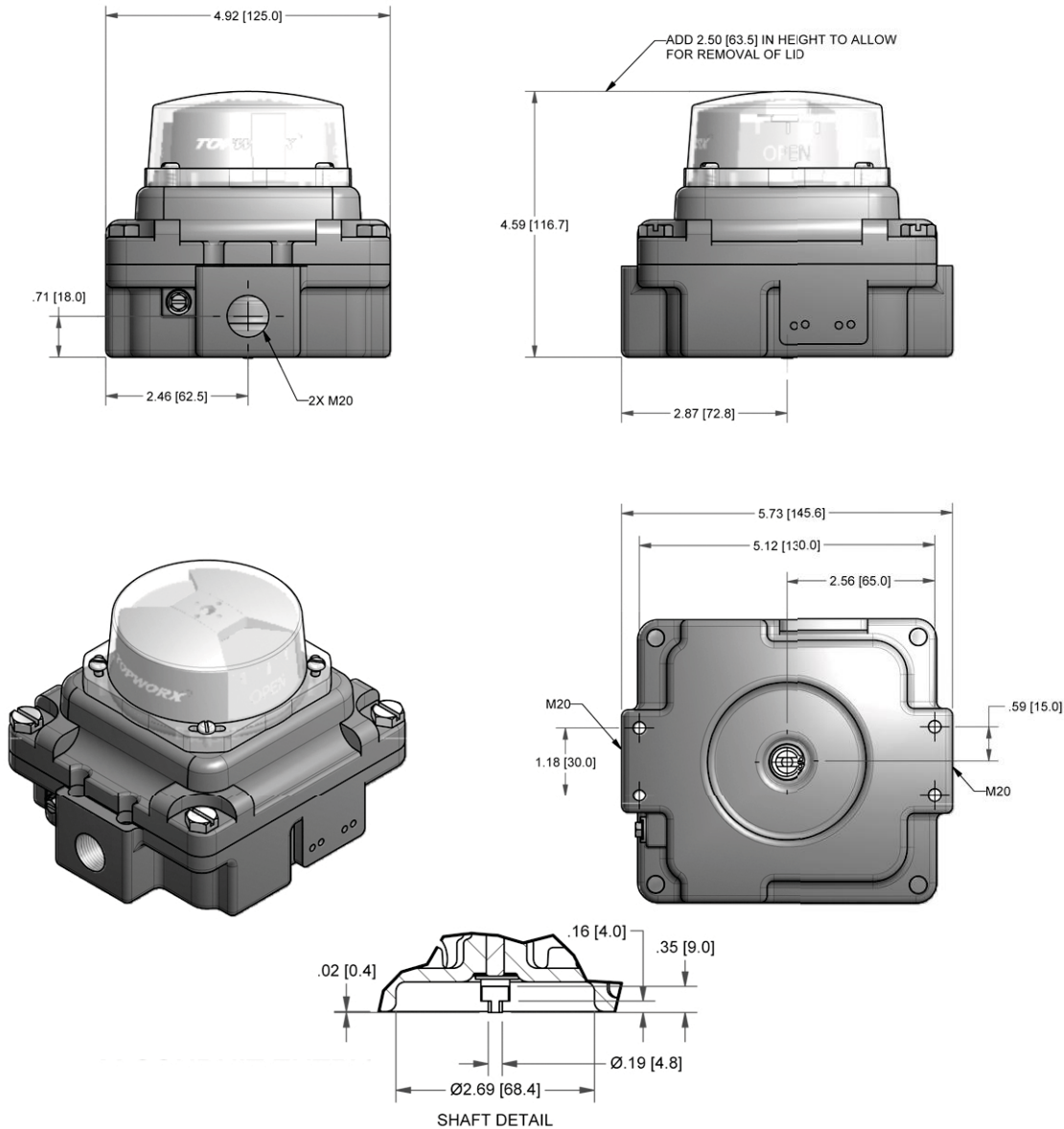


# TXP-K2CGNMM (SXM9XXTE)

## Valvetop Discrete Valve Controller

- Model** Valvetop Model TXP, epoxy-coated LM24 Aluminum enclosure
- Bus Sensor** (2) Mech SPDT gold contacts (50mA/120VAC)
- Area Classification** ATEX II 2GD  
Ex d IIC T4 Ta = -50°C to +80°C  
Ex tD A21 IP6X T135°C
- Visual Display** 90° Green Open/Red Closed
- Shaft** NAMUR, 304 Stainless Steel
- Conduit Entries** (2) M20
- O-Rings** Buna/EPDM
- Temperature Rating** -40 °C - 60 °C



Current as of Nov 30, 2009 - subject to change without notice.