

MODEL NO.

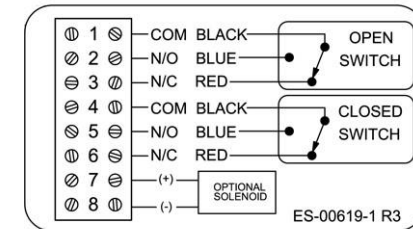
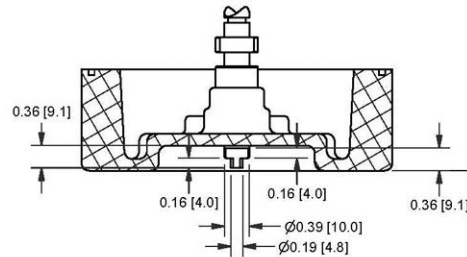
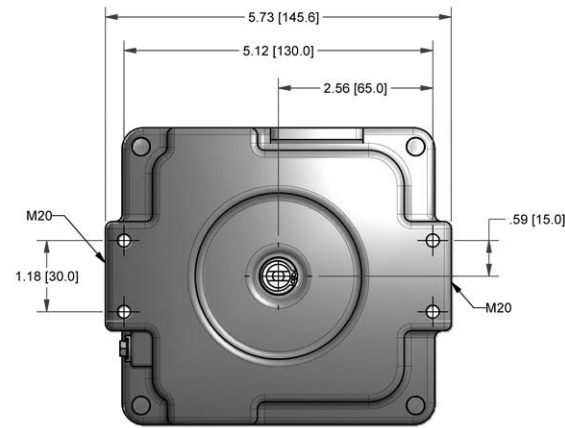
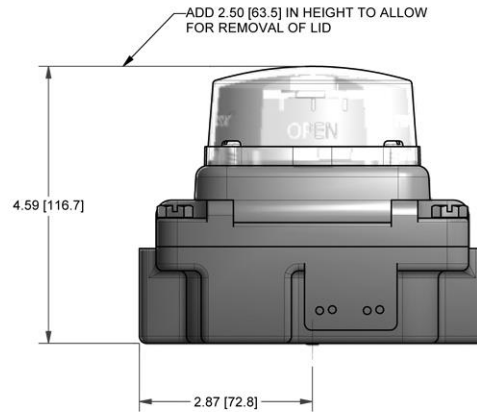
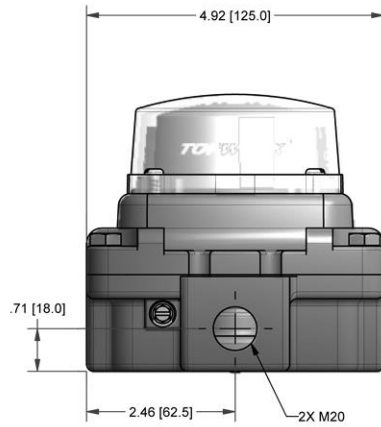
SXM9XXT

PRODUCT LINE

Valvetop Discrete Valve Controller

SPECIFICATIONS

Model	Valvetop Model TXP, epoxy-coated LM24 Aluminum enclosure
Bus Sensor	(2) Mech SPDT (10A@250VAC)
Area Classification	Flame Proof ATEX/IECEX II2GD Ex d IIC; Ex A21, IP67
Visual Display	90° Green Open / Red
Closed Shaft	NAMUR, 304 Stainless Steel
Conduit Entries	(2) M20
O-Rings	Silicone
Temperature Rating	-40 °C to 80 °C



Current as of Mar 5, 2012 - subject to change without notice.