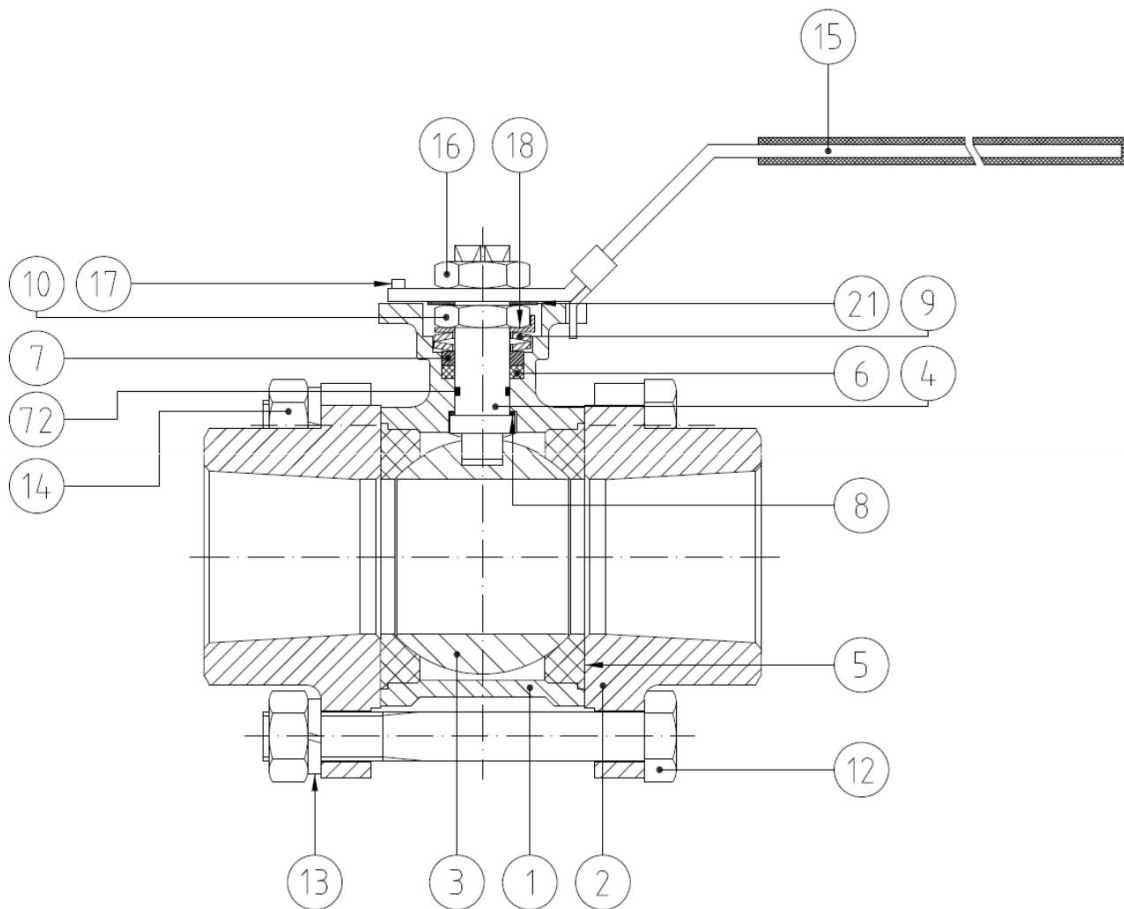




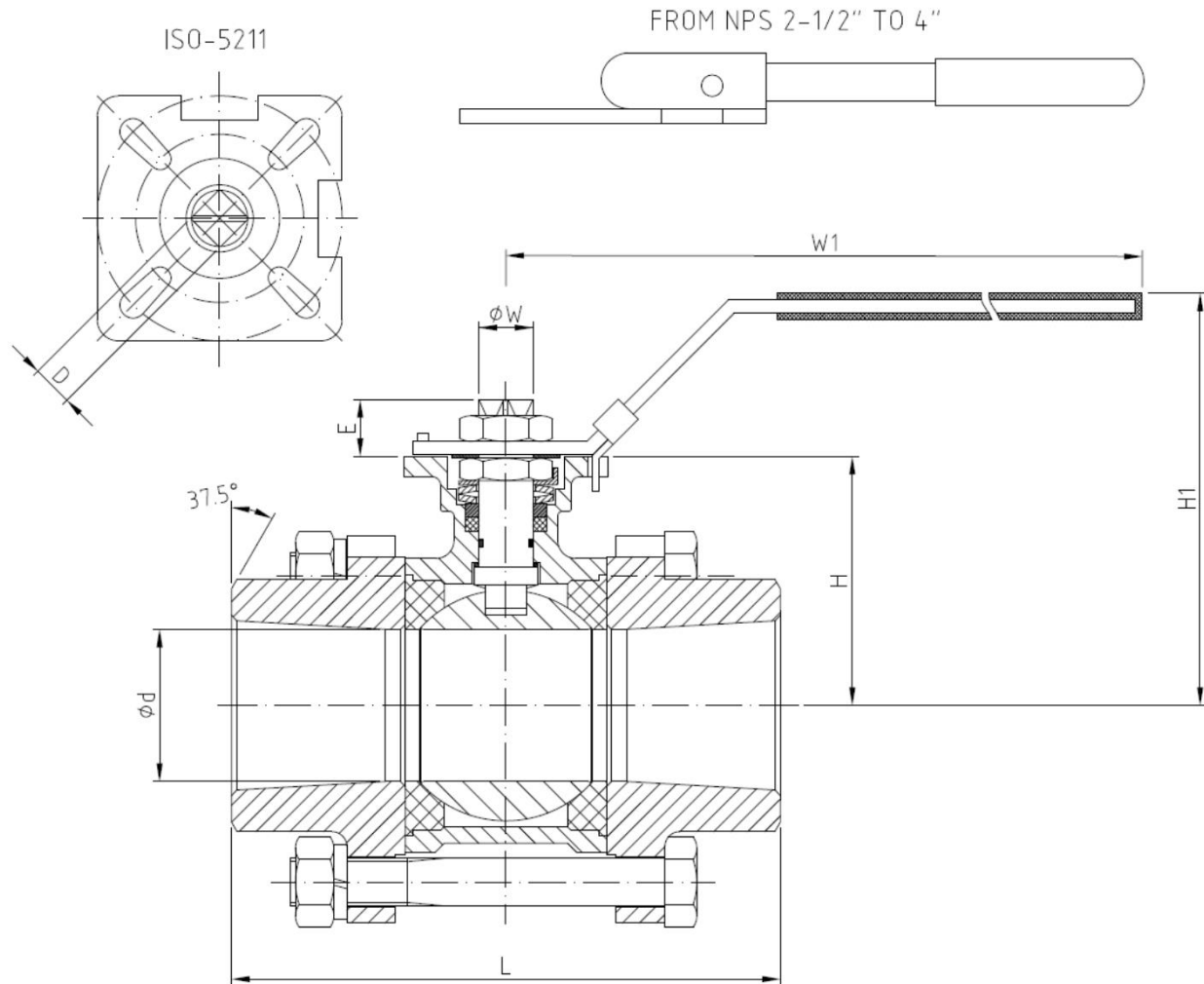
Fig. 143IMF FULL BORE

**Butt Weld according:
ASME B16.25 & DIN 3239 part 1**

CE



Item	Description	Material
1	Body	AISI 316
2	Body connector	AISI 316
3	Ball	AISI 316
4	Stem	AISI 316
5	Seat ring	PTFE
6	Stem packing	PTFE
7	Ring	AISI 304
8	Seat thrust seal	PTFE
9	Belleville washer	AISI 304
10	Gland Nut	AISI 304
12	Bolt	AISI 304
13	Washer	AISI 304
14	Nut	AISI 304
15	Handle	AISI 304+PVC
16	Handle nut	AISI 304
17	Stop pin	AISI 304
18	Locking washer	AISI 304
21	Washer	AISI 304
72	O'ring	FKM



Dimensions

SIZE	ϕd	L	W1	H1	H	E	D	ISO 5211	WEIGHT
1/4" (DN 8)	10,8	60	143	70	38,5	9	9	F04/03	0,59
3/8" (DN 10)	12,5	60	143	70	38,5	9	9	F04/03	0,58
1/2" (DN 15)	15	70	143	70	38,5	9	9	F04/03	0,57
3/4" (DN 20)	20	85	143	79	47,5	9	9	F04/03	0,71
1" (DN 25)	25	95	163	95	59	11	11	F05/04	1,03
1 1/4" (DN 32)	32	110	163	100	63,5	11	11	F05/04	1,56
1 1/2" (DN 40)	38	120	188	116	79	15	14	F07/05	2,5
2" (DN 50)	50	142	188	124	86,5	15	14	F07/05	3,44
2 1/2" (DN 65)	64	166	350	141	109,1	17	17	F10/07	6,4
3" (DN 80)	76	182	350	149	117	17	17	F10/07	11,2
4" (DN 100)	94	227	350	173	136	22	22	F12/10	22

(*) Dimensions in mm and weight in kg.

Note:

Dimensions not subject to International Standards can vary in $\pm 10\%$. ICP reserves the right to change those dimensions without notice, due to they do not affect integrity and performance of the valves.



Three Pieces Ball Valves IMF 1000 WOG

Torque, Kv, P&T Rating, Actreg Actuator



Torque Values in Nm

VALVE SIZE	AT DIFFERENTIAL PRESSURE 63 bar	VALVE SIZE	AT DIFFERENTIAL PRESSURE 25 bar
¼" (DN 8)	4,9	2½" (DN 65)	58,3
⅜" (DN 10)	4,9	3" (DN 80)	86,8
½" (DN 15)	4,9	4" (DN 100)	122,6
¾" (DN 20)	6,5		
1" (DN 25)	13,7		
1¼" (DN 32)	21,6		
1½" (DN 40)	29,5		
2" (DN 50)	47		

Kv Values in m³/h

VALVE SIZE	Kv	VALVE SIZE	Kv
¼" (DN 8)	6,6	1½" (DN 40)	80,0
⅜" (DN 10)	6,6	2" (DN 50)	150,0
½" (DN 15)	11,2	2½" (DN 65)	265,0
¾" (DN 20)	21,0	3" (DN 80)	415,0
1" (DN 25)	34,0	4" (DN 100)	780,0
1¼" (DN 32)	57,0		

Pressure-Temperature

P Bar

